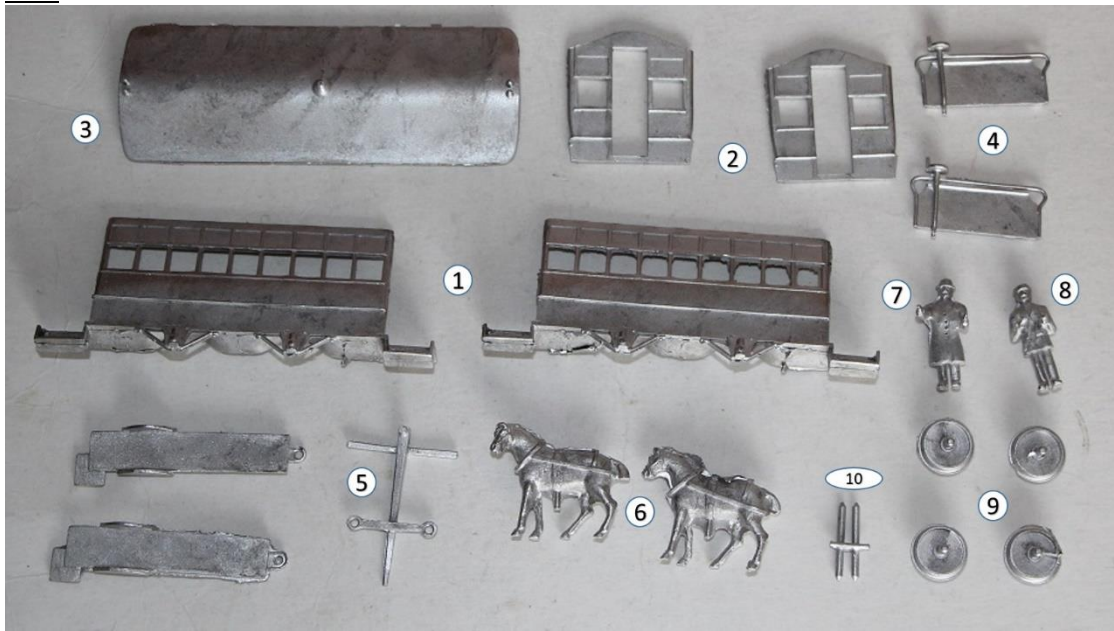


KW Trams

R153 Horse Tram "The People"

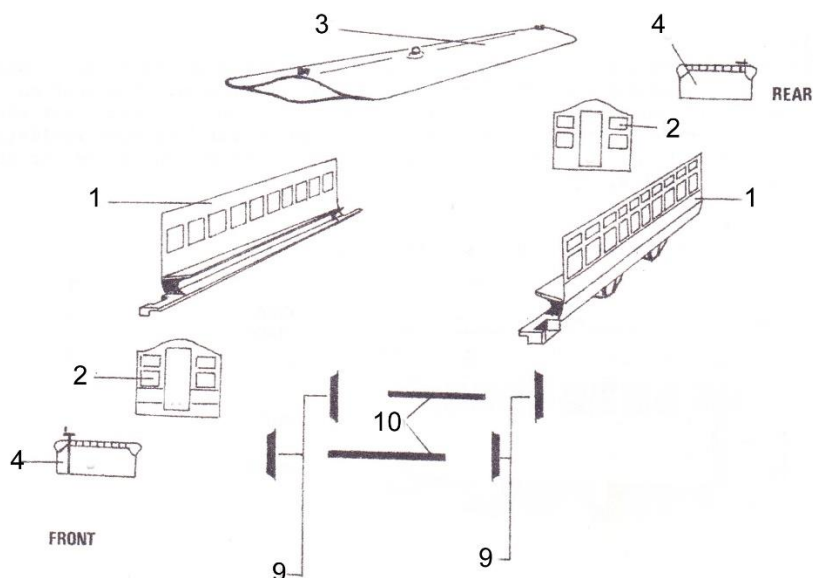
Parts



1. Side
2. End
3. Roof
4. Dash
5. Shaft
6. Horse
7. Driver
8. Conductor
9. Dummy wheels
10. Axles

Build Steps

1. Fit front and end of the saloon to one side. Next fit the axles and wheels and then the remaining side of the saloon. The roof may be fitted next, followed by the front and rear handrails. Lastly fit the driver, conductor and horses.



The People Livery

